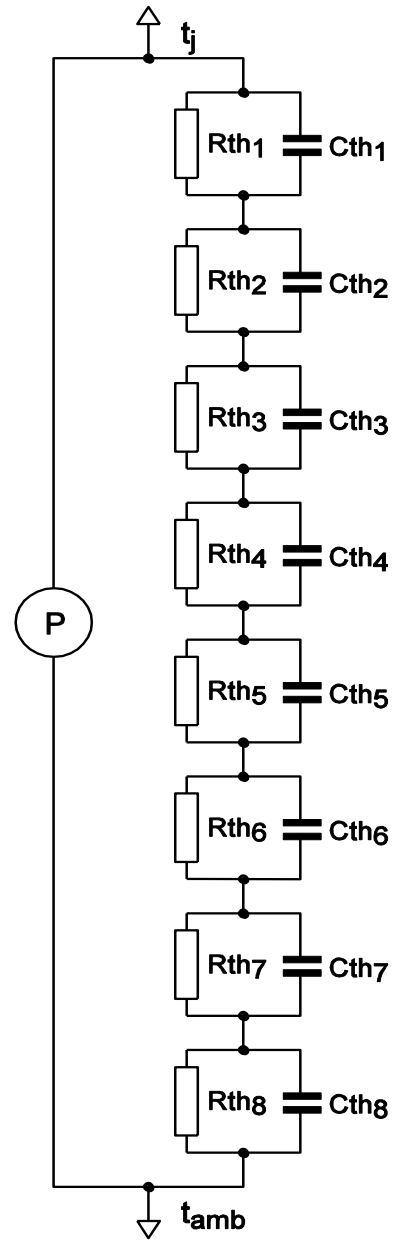


SPICE thermal model

BUK7K89-100E

Symbol	Parameter	Conditions	Min	Typ	Max	Unit
$R_{th(j-mb)}$	thermal resistance from junction to mounting base		-	-	3.96	K/W

C_{th1}	1.632E-05 F
C_{th2}	9.043E-05 F
C_{th3}	1.237E-04 F
C_{th4}	5.440E-04 F
C_{th5}	2.462E-03 F
C_{th6}	2.636E-03 F
C_{th7}	1.699E-01 F
C_{th8}	2.276E+02 F
R_{th1}	5.513E-03 Ω
R_{th2}	1.304E-02 Ω
R_{th3}	7.719E-02 Ω
R_{th4}	1.770E-01 Ω
R_{th5}	5.109E-01 Ω
R_{th6}	2.852E+00 Ω
R_{th7}	3.205E-01 Ω
R_{th8}	7.015E-04 Ω



Part: BUK7K89-100E
 Date: 20/3/2013
 R_{th} 3.96 K/W